



Fits anything, pumps anything

GoatThroat pumps fit any container from 5 to 55 gallons, and can be transferred quickly and easily from one container to another.

Three models are available to pump nearly any liquid.*

- **GT 100** (red) with Nitrile seal for petroleum-based products including oil, glycerine, chloride, ethanol, etc.
- **GT 200** (blue) with EPDM seal for general purpose chemicals including acids, acetates, alcohols and phosphates.
- **GT 300** (green) with Viton® seal for aggressive chemicals & solvents including bromine, sulphuric acid, ethylene, nitric acid, pesticides, gasoline, diesel etc.

* Consult GoatThroat Compatibility Guide for specific applications

There's nothing like it anywhere!

- Hand-pressurized, easy to use, no potential sparking hazard
- Safe for petroleum, acids, caustics, solvents, **anything!**
- One-touch flow control dispenses precise amounts of liquid every time to conserve your inventory
- Drip-proof design helps prevent potentially hazardous spills
- Costs far less than other pumps
- Drains drums dry

GoatThroat™ Pumps

Worker Safety and Environmental Compliance

Simpler, safer and far less expensive than electric pumps

A few strokes of the plunger can pressurize any container from 5-gallon jugs to 55-gallon drums — with *no potential sparking hazard* which make electric pumps unsuitable for many uses.

This revolutionary pump delivers unparalleled value and reliability and quickly pays for itself by preventing potentially hazardous spills while assuring precise, measurable flow control and RCRA empty containers.

- **Durable:** Built to last and constructed of 100% non-reactive polypropylene, GoatThroat pumps are engineered to work up to 10 years.
- **Safe:** Eliminate drips, costly spill hazards, and VOCs. These pumps also prevent accidents and repetitive motion injuries.
- **Value:** With the capacity of an electric pump at the cost of a hand pump, GoatThroat's one touch tap system dispenses liquids at a controlled rate to prevent waste, conserve your inventory, and produce precisely measured amounts every time. Smooth uncontaminated flow delivers volume up to 4.5 gpm. Best up to 270 centipoise, 1400 SSU, 300 centistokes.
- **Versatile:** Safe for use with more than 750 listed liquids, fits all common container sizes, offers the most useful accessories in the market today.
- **Proven:** Thousands now in use by laboratories, hospitals, agricultural facilities and industries from aviation to zookeeping.

Ensuring worker safety and environmental compliance

2006 PUMP PRODUCT OF THE YEAR FINALIST - Plant Engineering Magazine



The GoatThroat way

Leakproof, spillproof, hand-pressurized for precise one-touch flow control

Plunger pressurizes most containers with only a few strokes

Patented internal pressure relief valve helps prevent hazardous over-pressurization

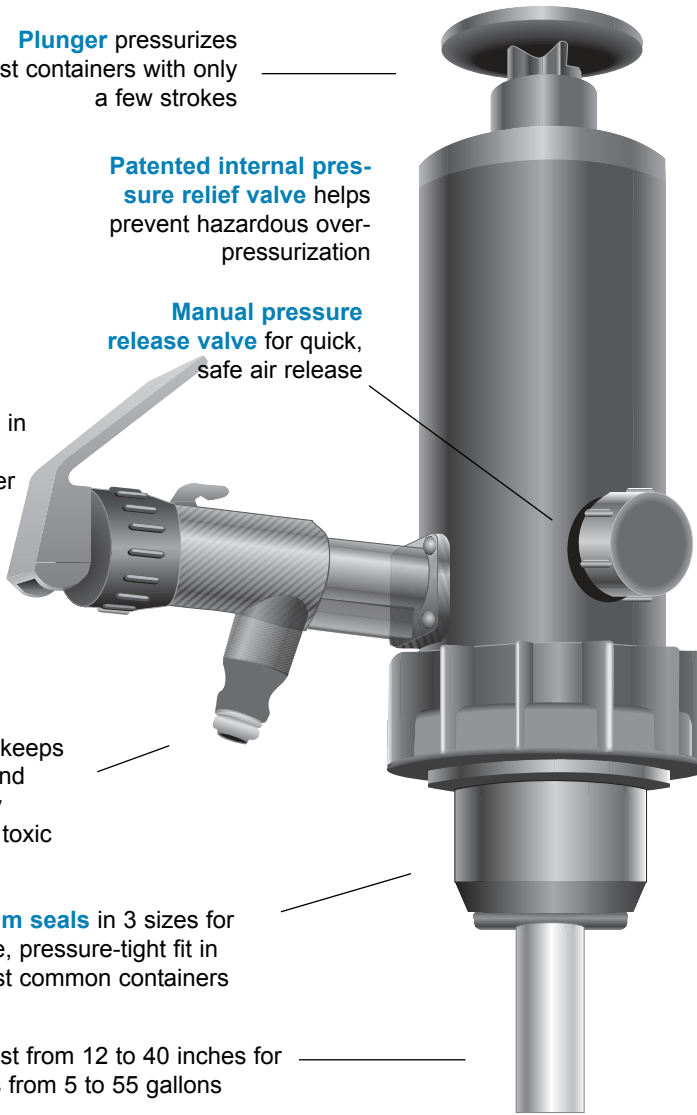
Manual pressure release valve for quick, safe air release

One-touch tap controls flow to dispense any liquid in precise amounts at up to 4.5 gallons per minute

Drip-proof nozzle keeps work areas clean and prevents potentially hazardous spills of toxic substances

Drum seals in 3 sizes for safe, pressure-tight fit in most common containers

Siphon tubes adjust from 12 to 40 inches for use with containers from 5 to 55 gallons



Each kit contains

- 1 GoatThroat™ precision pump
- 1 drum seal (medium) Other sizes available
- 4 siphon tube segments
- 3 siphon tube connectors
- 1 foot piece
- 1 standoff kit

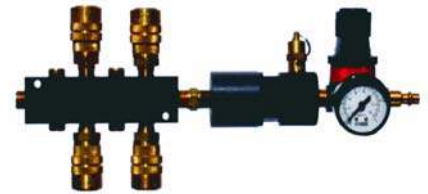
Optional accessories



Remote discharge nozzle delivers fluids to point of use.



Billy Goat Shop Air Adapter delivers electric pump performance with only 4 psi.



GT Multi-Pump System runs up to 10 pumps from one air line with only 4 psi



Wide selection of adapters to fit any container. Ask for a quote for your application.



BEST SMALL INVENTION AWARD

Geneva International Invention Exposition, 1996 & 1997



Level 7 Chemical, Inc.
253 Sturgis Rd
Conway, AR 72034
1-855-927-1777
www.level7chemical.com

GoatThroat is a trademark of Westcott Distribution, Inc.
Viton is a registered trademark of DuPont Dow Elastomers.

GT2p D141-012010
content subject to change